

808 nm High-Power Laser Diode (AL200T)

Features:

Output power: 0.2w(CW)
 Variety of stripe width
 Efficient quantum well structure

Application:

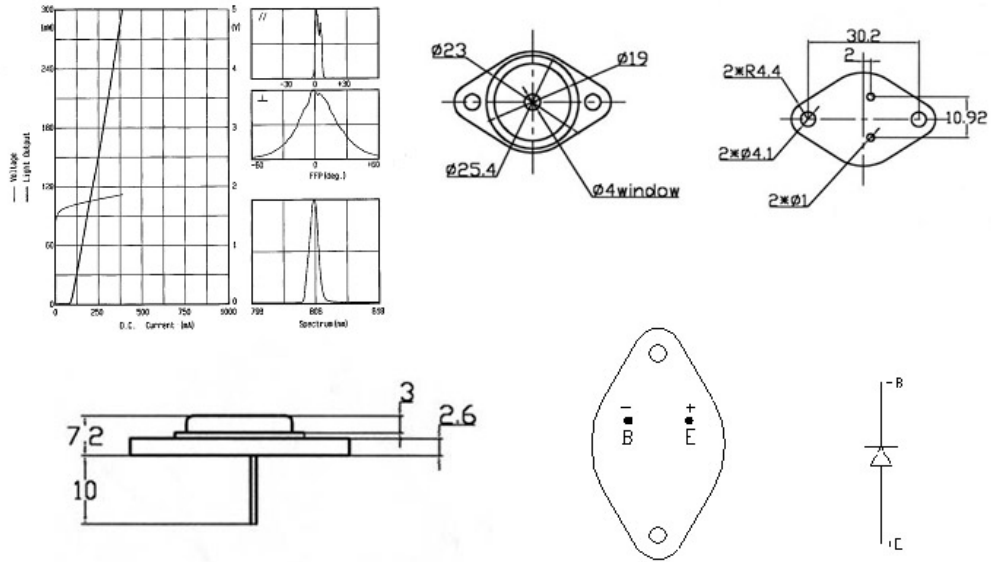
Solid-state laser pumping
 Medical usage
 Beacons and Illumination
 Free-space communication
 Infrared light sources



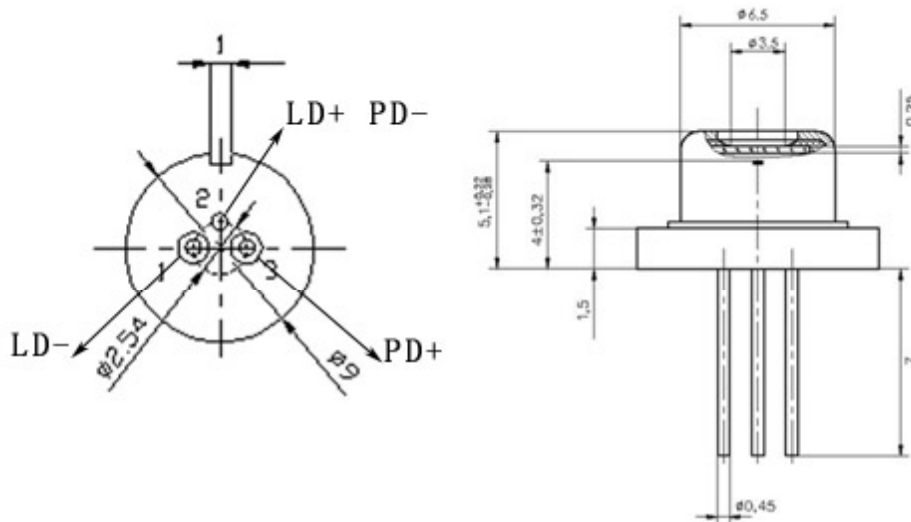
Specifications:

Parameter	Value
	AL808T200
CW output power (mW)	200
Peak wavelength (nm)	808 ± 5
Spectral width (nm)	≤ 5
Threshold current (A)	≤ 100
Operating current (A)	≤ 290
Operating voltage (V)	$1.6 \sim 2.2$
Slope efficiency (W/A)	≥ 0.9
Beam divergence $\theta_{\perp} \times \theta_{\parallel}$ (deg.)	12/40
Wavelength temperature coefficient (nm/°C)	0.3
Emitting area (μm)	50×1
Serial resistance (Ω)	≤ 1.5
Lifetime(h)	10000
Package	TO-18,TO-5, TO-3, C-Mount

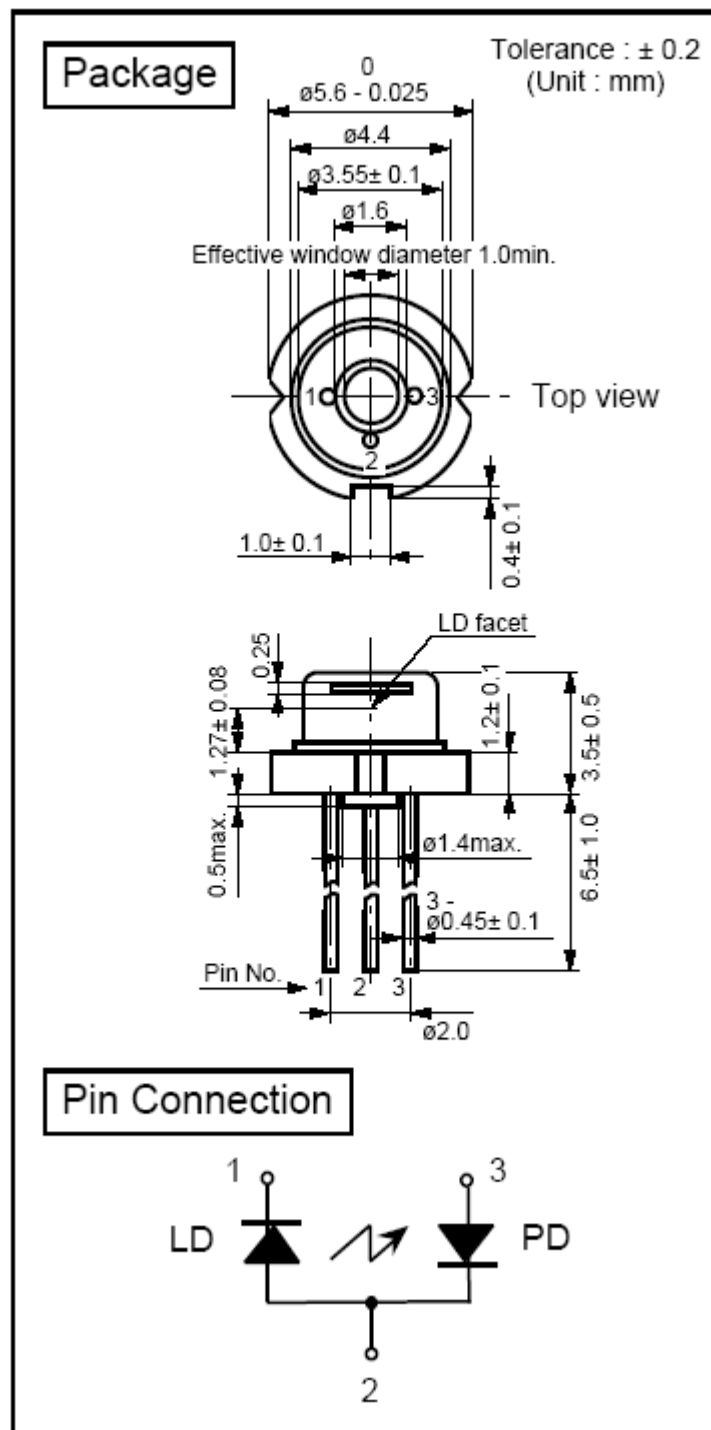
TO-3 Package(Unit: mm)



TO-5 Package: (Unit: mm)



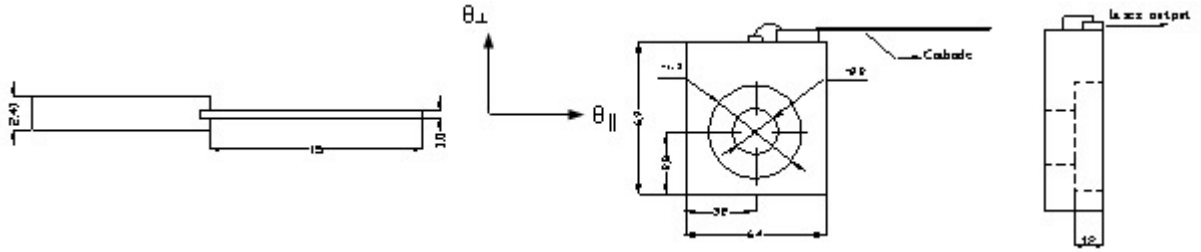
TO-18 Package: (Unit: mm)





C-Mount heat sink: (Unit : mm, Heat sink(+))

C-Mount 1 (C)



C-Mount 2 (S)

